

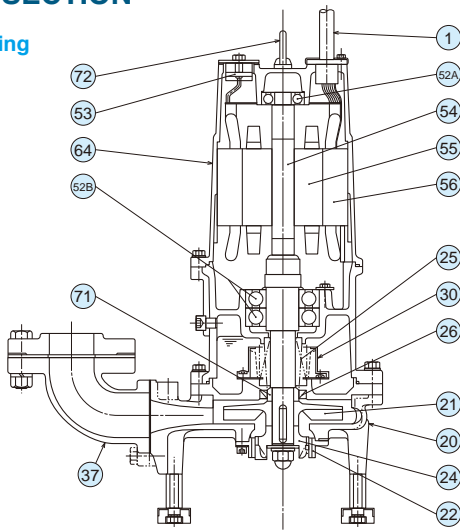


Submersible Sewage Pumps
Grinder
MG

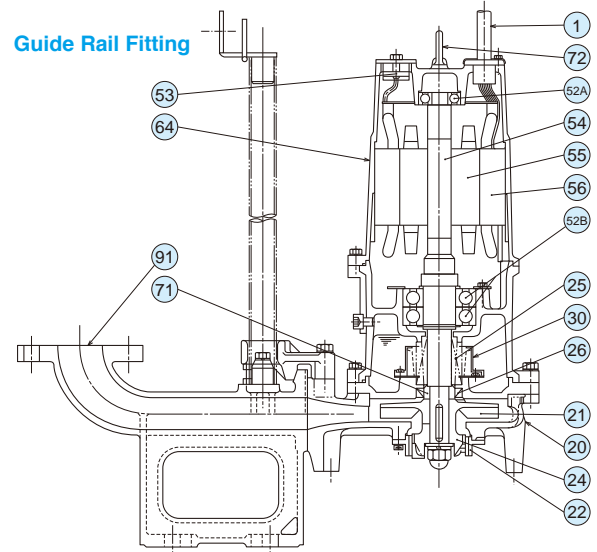


CROSS-SECTION

Free Standing



Guide Rail Fitting



Item No.	Part	Material
1	Cable	PVC
20	Pump Casing	Gray Cast Iron
21	Impeller	Gray Cast Iron
22	Stationary Blade	High-chromium Cast Iron
24	Rotational Blade	High-chromium Cast Iron
25	Mechanical Seal	Silicon Carbide
26	Oil Seal	Rubber

Item No.	Part	Material
30	Oil Lifter	Resin
37	Discharge Bend	Gray Cast Iron
52A	Upper Bearing	—
52B	Lower Bearing	—
53	Motor Protector	—
54	Shaft	420 Stainless Steel
55	Rotor	—

Item No.	Part	Material
56	Stator	—
64	Motor Flame	Gray Cast Iron
71	Shaft Sleeve	403 Stainless Steel
72	Eye Bolt	304 Stainless Steel
91	Duckfoot Bend	Gray Cast Iron

GRINDING CAPACITY OF MG PUMPS

Plastic Bag



Fabric



Pantyhose



We reserve the right to change the specifications and designs for improvement without prior notice.

TSURUMI
MANUFACTURING CO., LTD.
www.tsurumi-global.com

Your Dealer